



# Anglesey™ Comfort Height®

Top spud flushometer bowl with bedpan lugs  
K-4352-L

## Features

- Vitreous china.
- Elongated bowl offers added room and comfort.
- Comfort Height® feature offers chair-height seating that makes sitting down and standing up easier for most adults.
- Bedpan lugs included.
- 1½" (38 mm) top spud.
- 4" (102 mm) rough-in.
- 2-1/8" (54 mm) fully glazed trapway.
- 1.28 or 1.6 gpf (4.8 or 6.0 lpf) depending on flushometer specified.
- Floor-mount rear outlet flushometer bowl.

## Installation

- Seat and supply line sold separately.

## Recommended Products/Accessories

- K-4654-A Lustra™ Commercial Elongated Toilet Seat
- K-4670-CA Lustra™ Commercial Elongated Toilet Seat
- K-10673 Touchless toilet 1.28 gpf flushometer
- K-13517 Manual 1.28 GPF WC Flushometer

## Included Components

Additional Components:

- Bolt cap accessory pack
- Floor screws and bolt caps
- Spud



ADA | CSA B651 | OBC

## Codes/Standards

- ASME A112.19.2/CSA B45.1
- DOE - Energy Policy Act 1992
- EPA WaterSense®
- ADA
- ICC/ANSI A117.1
- CSA B651
- OBC

## KOHLER® One-Year Limited Warranty

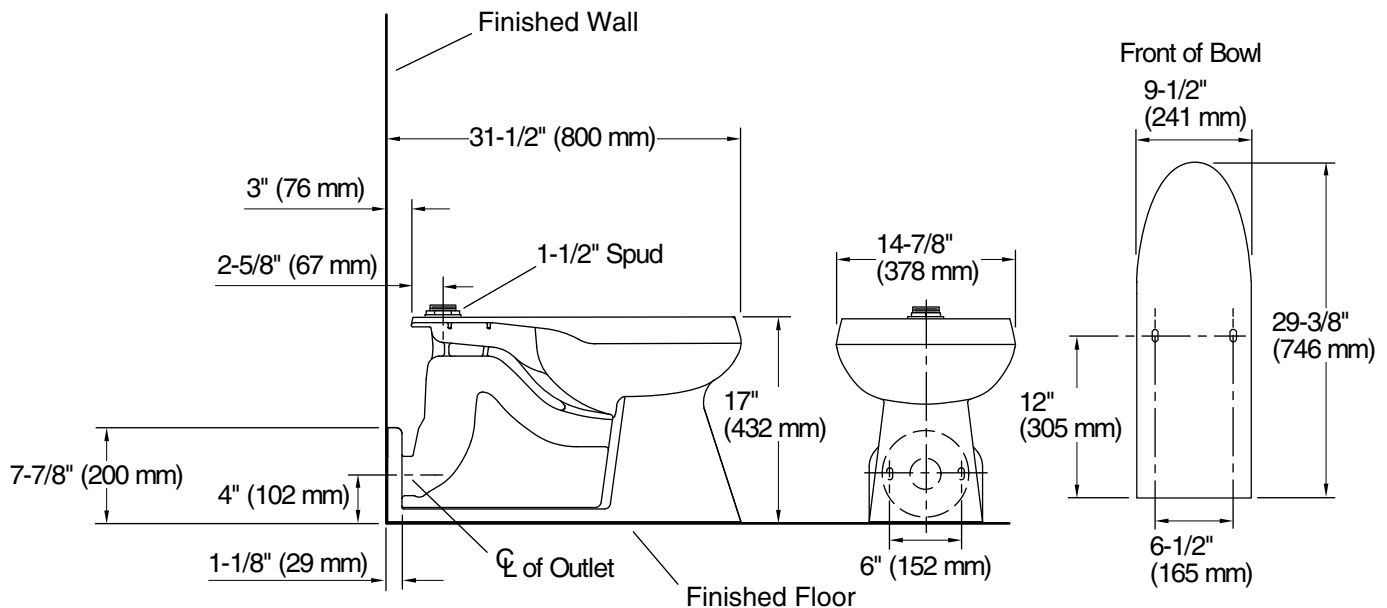
See website for detailed warranty information.

## Available Colors/Finishes

Color tiles intended for reference only.

### Color Code Description

	0	White
--	---	-------



### Technical Information

All product dimensions are nominal.

Toilet type:	Flushometer, Floor-mount
Waste Outlet:	Floor
Bowl shape:	Elongated
Flush type:	Siphon jet
Spud size:	1 1/2, Inlet, Top
Trap passageway:	2-1/8" (54 mm)
Water Consumption	
Full:	1.6 gpf (6 lpf)
Reduced:	1.28 gpf (4.8 lpf)
Water surface size:	12" x 10" (305 mm x 254 mm)
Rim to water surface:	5-7/8" (149 mm)
Rough-in:	4" (102 mm)
Seat-mounting holes:	5-1/2" (140 mm)

### Notes

Install this product according to the installation instructions.

For back-to-back installations: Connect the toilet to the vertical stack using a: double fixture fitting, double combination wye and 1/8 bends, or double wye and 1/8 bends.

ADA, OBC, CSA B651 compliant when installed to the specific requirements of these regulations.

Plumbing codes may require elongated toilets and elongated, open-front seats in public bathrooms.

Accessibility standards may require controls to be located on the open side of the toilet.